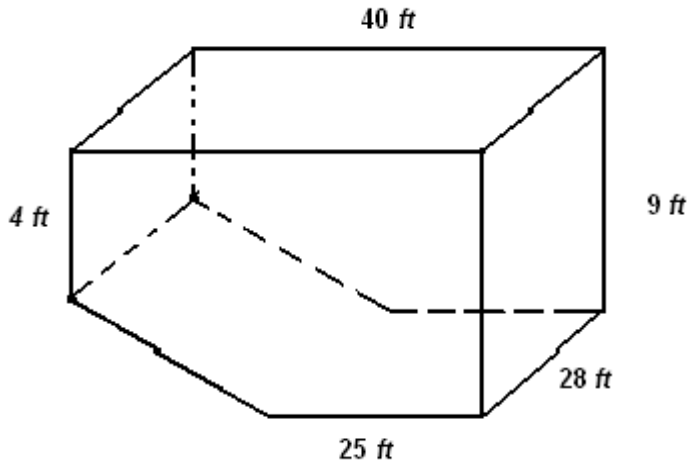


5.) **Swimming Pool Problem**

(A) Find the volume of the pool below (in cubic feet). All sides are rectangles or right triangles.

(B) If there are **7.481 gallons of water per cubic foot of water**, how long would it take **4 hoses pumping water at 20 gallons per minute each** to fill the pool? Express your answer to the nearest minute.



6.) **Swimming Pool Problem**

(A) Find the volume of the pool below (in cubic feet). All sides are rectangles or right triangles.

(B) If there are **7.481 gallons of water per cubic foot of water**, how long would it take **2 hoses pumping water at 45 gallons per minute each** to fill the pool? Express your answer to the nearest minute.

