

CP Geometry
3D Figures / Surface Area Intro.

Name: _____

I. Vocabulary

1.) **Polyhedron**

2.) **Net**

3.) **Face**

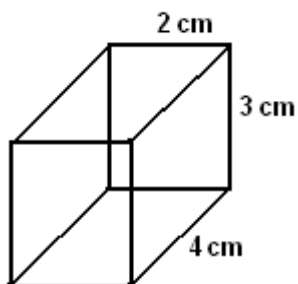
4.) **Edge**

5.) **Vertex**

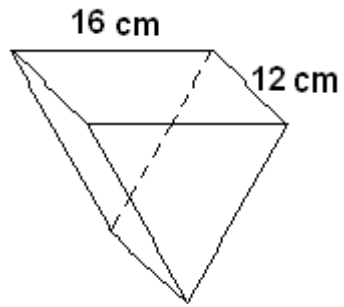
6.) **Surface Area**

II. Surface Area Calculations

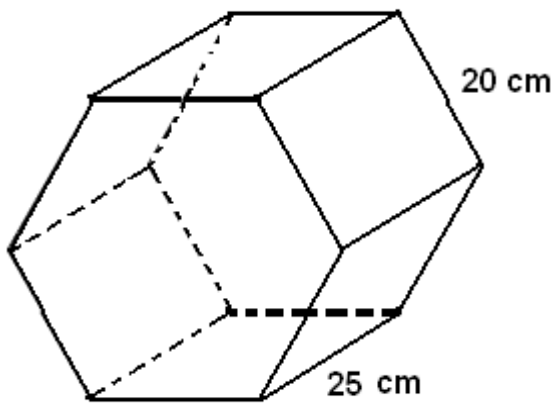
[EX 1] **Rectangular Prism**



[EX 2] Equilateral Triangle and Rectangles



[EX 3] Regular Hexagon and Rectangles



[EX 4] Trapezoids and Rectangles

