

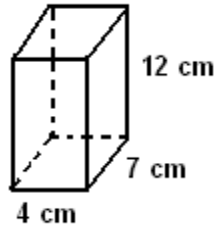
**CP Geometry: Surface Area of 3D Figures**

Name: \_\_\_\_\_

Find the surface area of each figure by adding the areas of each of the faces.

Please include units.

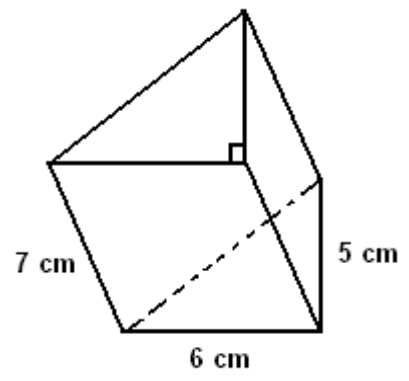
1.) (Rectangular)



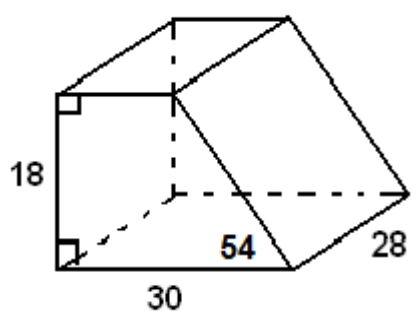
2.) (Rectangular)



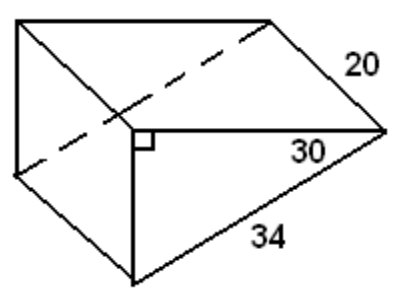
3.) (Triangles and Rectangles)



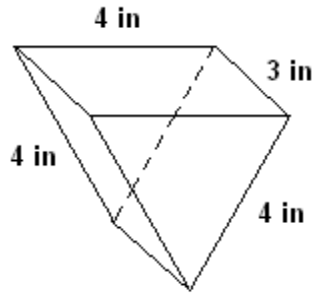
4.) Trapezoids and Rectangles



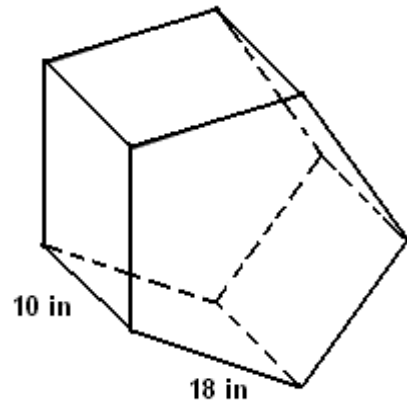
5.) Triangles and Rectangles



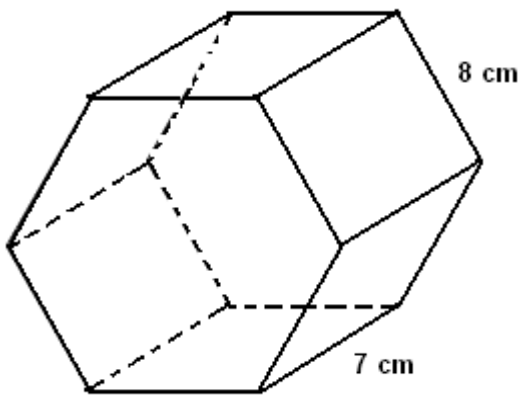
6.) Equilateral Triangle and Rectangles



7.) Regular Pentagons and Rectangles



8.) Regular Hexagon and Rectangles



9.) Regular Octagon and Rectangles

