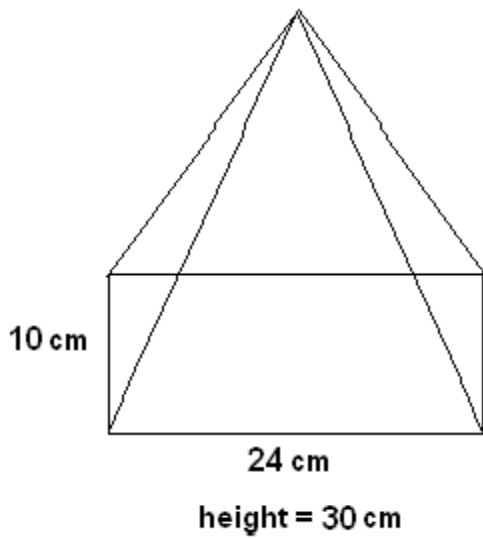
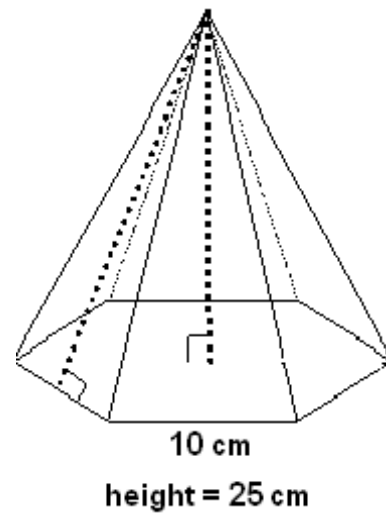


Volume of a Pyramid or a Cone:

[EX 1]

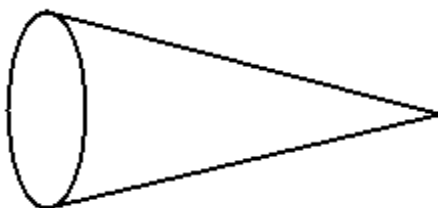


[EX 2]

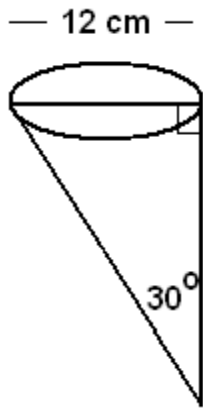


[EX 3]

Right Cone
Diameter = 10 cm
Height = 25 cm

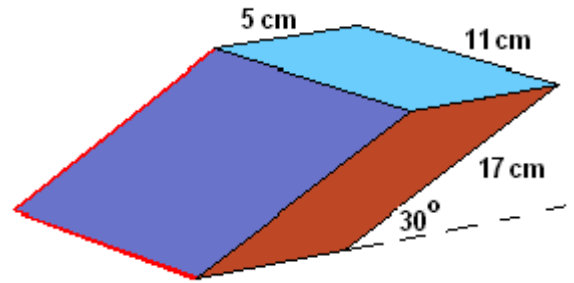


[EX 4]



[EX 5]

"Parallelepiped"
(All Parallelograms...
rectangles on top and bottom)



[EX 6]

Equilateral Triangle
forming a prism.

