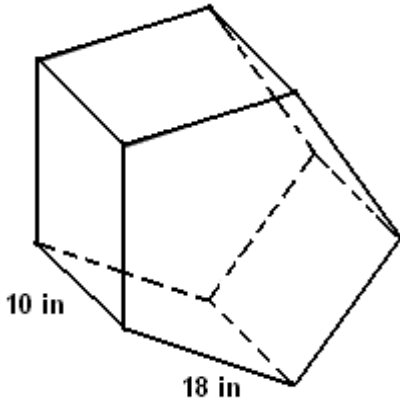


CP Geometry
Wrap Up for Volume

Name: _____

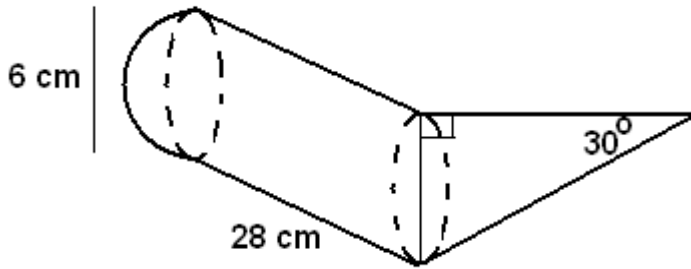
- 1.) Find the volume of the regular pentagon prism (regular pentagons and rectangles only).



- 2.) Find the volume of the right rectangular pyramid whose base is 15 cm by 25 cm and whose height is 35 cm.

- 3.) Find the volume of a golf ball if its diameter is 1.68 inches.

- 4.) Find the volume of the composite figure:
(a hemisphere, cylinder, and cone)



- 5.) A meatball has a diameter of 3.5 cm. If ground meat is 0.95 grams per cubic centimeter and 1 pound is 453.59 grams, how many meatballs could you make with 1.5 pounds of meat? Round *appropriately*.

- 6.) A meatball has a diameter of 2.75 cm. If ground meat is 0.95 grams per cubic centimeter and 1 pound is 453.59 grams, how many pounds of meat would you need to make 30 meatballs?

7.) **Swimming Pool Problem**

- (A) Find the volume of the pool below (in cubic feet). All sides are rectangles or right triangles.
- (B) If there are **7.481 gallons of water per cubic foot of water**, how long would it take **3 hoses pumping water at 15 gallons per minute each** to fill the pool? Express your answer to the nearest minute.

