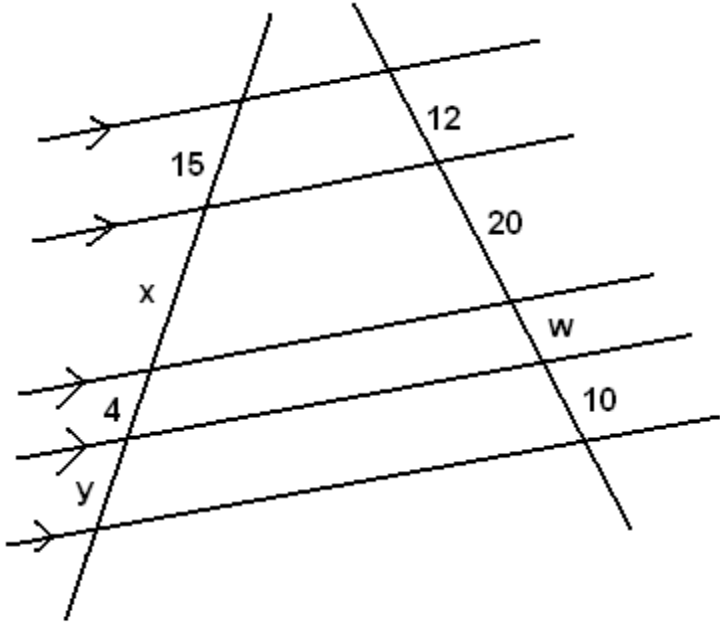


Advanced Geometry
Side Splitting Practice

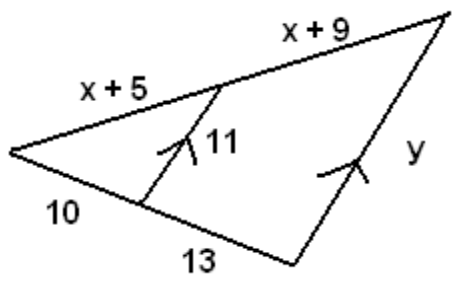
Name: _____

1.)



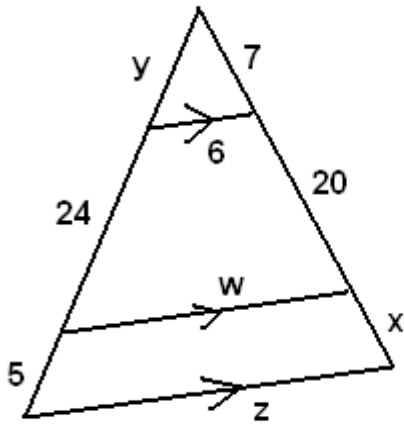
$w =$ _____ $x =$ _____ $y =$ _____

2.)



$x =$ _____ $y =$ _____

3.)



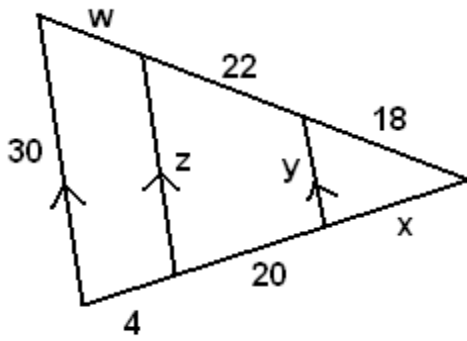
$w = \underline{\hspace{2cm}}$

$x = \underline{\hspace{2cm}}$

$y = \underline{\hspace{2cm}}$

$z = \underline{\hspace{2cm}}$

4.)



$w = \underline{\hspace{2cm}}$

$x = \underline{\hspace{2cm}}$

$y = \underline{\hspace{2cm}}$

$z = \underline{\hspace{2cm}}$